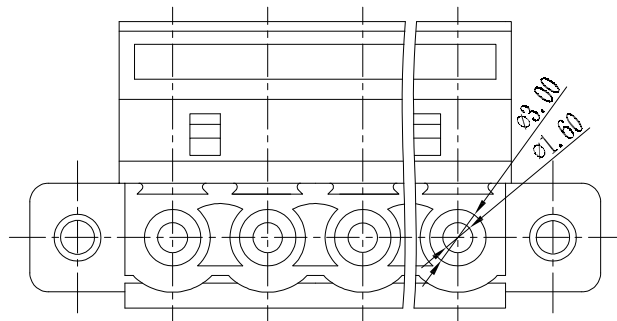
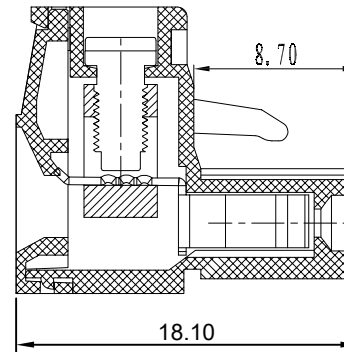
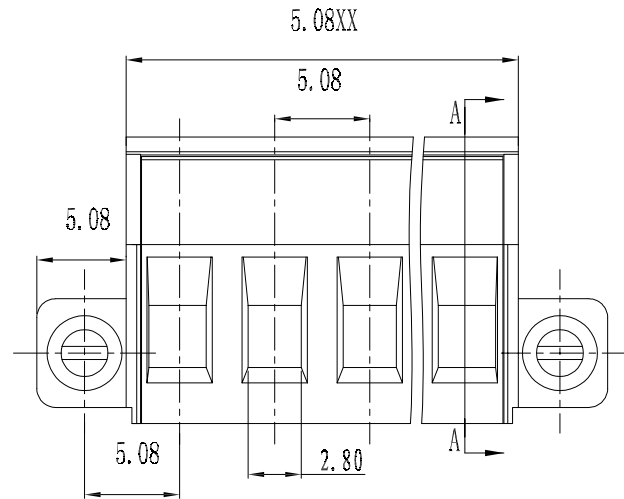


| 版次 (Version) | 变更内容 (Rev. Content) | 变更者 (Change Person) |
|-----------------|------------------------|------------------------|
| | | |
| | | |



| 技术参数 (Technical Data) | | | | |
|------------------------------|--|----------------------------------|----------|----------|
| UL | 应用组别(Use group) | B | C | D |
| | 额定电器参数 (Rated Electrical Parameters) | 300V/15A | 300V/15A | 300V/15A |
| | 过压类别 (Overvoltage Category) / 污染等级 (Pollution Degree) | III/3 | III/2 | III/2 |
| IEC | 额定电器参数 (Rated Electrical Parameters) | 300V/15A | 300V/15A | 300V/15A |
| 压线范围(Wire Range) | | / | | |
| 工频耐压(Frequency Voltage) | | AC 1600V | | |
| 冲击耐压(Rated Surge Voltage) | | 4000V | | |
| 绝缘阻抗 (Insulation Resistance) | | DC500V 500MΩ above | | |
| 接触电阻(Contact Resistance) | | ≤20mΩ | | |
| 剥线长度(String Length) | | / | | |
| 工作温度(Temperature) | | -40° C--+105° C | | |
| 额定扭矩(Rated torque) | | / | | |
| 材质和电镀(Material and plating) | | | | |
| 绝缘材质(Housing) | | PA66 | | |
| 导体材料(Contact) | | 铜合金, 镀锡(Copper alloy, Sn plated) | | |
| / | | / | | |

产品命名编码:
(Product Number Code):

FPC2.5-XX-508-00M-YY


系列 (Series) ———— 型号 (Model)
极数 (NO. of poles) ———— 塑体颜色 (Housing Color)

端子间距 (Pitch) ————

- | | |
|--------------|-------------------------|
| 1:绿色(Green) | 7:透明色 (Transparent) |
| 2:蓝色(Blue) | 8:白色(White) |
| 3:黑色(Black) | 9:黄色(Yellow) |
| 4:灰色(Grey) | Y:多种颜色 (Mixed color) |
| 5:橙色(Orange) | |
| 6:红色(Red) | |

P=5.08mm,N为孔位数(N for hole digits),有效位数为(Significant Digits):02p-19p

| N | 02P | 03P | 04P | 05P | 06P | 07P | 08P | 09P | 10P |
|---|-------|-------|-------|-------|-------|-------|-------|-------|--------|
| L | 20.32 | 25.40 | 30.48 | 35.56 | 40.64 | 45.72 | 50.80 | 55.88 | 60.96 |
| B | 5.08 | 10.16 | 15.24 | 20.32 | 25.40 | 30.48 | 35.56 | 40.64 | 45.72 |
| N | 11P | 12P | 13P | 14P | 15P | 16P | 17P | 18P | 19P |
| L | 66.04 | 71.12 | 76.20 | 81.28 | 86.36 | 91.44 | 96.52 | 101.6 | 106.68 |
| B | 50.80 | 55.88 | 60.96 | 66.04 | 71.12 | 76.20 | 81.28 | 86.36 | 91.44 |

| | | |
|--|-----------------------|-----------------------------|
|  东莞市奥斯电子有限公司 DONGGUAN AOSI ELECTRONICS CO., LTD, | 公差范围(Tolerance Range) | |
| | 150~ | ±1.50 |
| 型号(Type): FPC2.5-XX-508-00M-YY | 60~150 | ±1.00 |
| | 30~60 | ±0.60 |
| 核准(Approval): | 6~30 | ±0.40 |
| | 0~6 | ±0.25 |
| 核审(Audit): | 图号(Drawing NO.): | 角度 X ±2° (Angle) X.X ±1° |
| | 单位(Units):mm | 页码(Page):1/1 |
| 设计(Design) | 比例(Scale):FULL | 版次(Version):T0 |