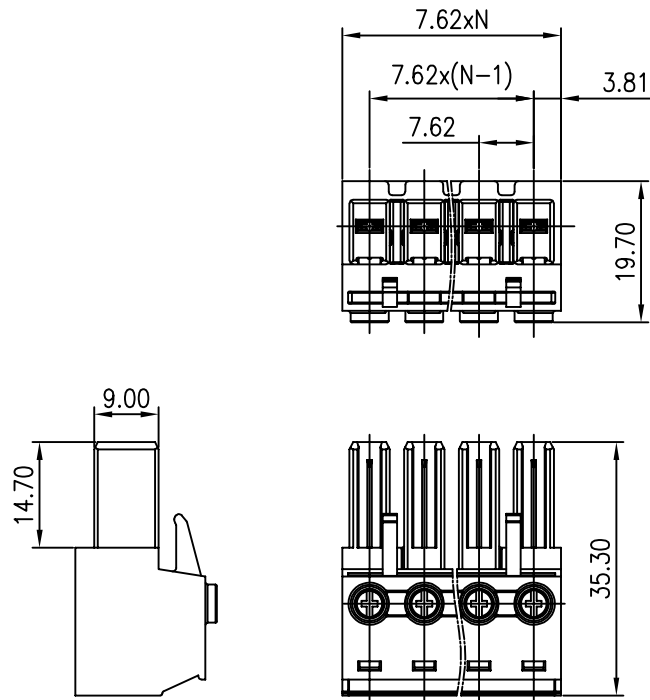


版次 (Version)	变更内容 (Rev. Content)	变更者 (Change Person)



技术参数 (Technical Data)				
UL	应用组别(Use group)	B	C	D
	额定电器参数 (Rated Electrical Parameters)	300V/15A	300V/15A	300V/15A
IEC	过压类别(Overvoltage Category)	III/3	III/2	III/2
	/污染等级(Pollution Degree)			
	额定电器参数 (Rated Electrical Parameters)	300V/15A	300V/15A	300V/15A
	压线范围(Wire Range)	/		
	工频耐压(Frequency Voltage)	AC 2500V		
	冲击耐压(Rated Surge Voltage)	4000V		
	绝缘阻抗(Insulation Resistance)	DC500V 500MΩ above		
	接触电阻(Contact Resistance)	≤20mΩ		
	剥线长度(String Length)	10		
	工作温度(Temperature)	-40° C--+105° C		
	额定扭矩(Rated torque)	/		
材质和电镀(Material and plating)				
	绝缘材质(Housing)	PA66		
	导体材料(Contact)	铜合金, 镀锡(Copper alloy, Sn plated)		
	/	/		

产品命名编码:  
(Product Number Code):


FPC2.5-XX-762-3EDGK-YY

系列(Series) \_\_\_\_\_  
极数(NO. of poles) \_\_\_\_\_  
端子间距(Pitch) \_\_\_\_\_  
型号(Model) \_\_\_\_\_  
塑体颜色(Housing Color) \_\_\_\_\_

- |              |                         |
|--------------|-------------------------|
| 1:绿色(Green)  | 7:透明色<br>(Transparent)  |
| 2:蓝色(Blue)   | 8:白色(White)             |
| 3:黑色(Black)  | 9:黄色(Yellow)            |
| 4:灰色(Grey)   | Y:多种颜色<br>(Mixed color) |
| 5:橙色(Orange) |                         |
| 6:红色(Red)    |                         |

P=7.62mm,N为孔位数(N for hole digits),有效位数为(Significant Digits):02p-19p

N	02P	03P	04P	05P	06P	07P	08P	09P	10P
L	15.24	22.86	30.48	38.10	45.72	53.34	60.96	68.58	76.20
B	7.62	15.24	22.86	30.48	38.10	45.72	53.34	60.96	68.58
N	11P	12P	13P	14P	15P	16P	17P	18P	19P
L	83.82	91.44	99.06	106.68	114.30	121.92	129.54	137.16	144.78
B	76.20	83.82	91.44	99.06	106.68	114.30	121.92	129.54	137.16

 <b>东莞市澳斯电子有限公司</b> <b>DONGGUAN AOSI ELECTRONICS CO., LTD.</b>	公差范围(Tolerance Range)	
	150~	±1.50
型号(Type): FPC2.5-XX-762-3EDGK-YY	60~150	±1.00
	30~60	±0.60
核准(Approval):	6~30	±0.40
	0~6	±0.25
核审(Audit):	角度(Angle)	X ±2°
	单位(Units):mm	页码(Page):1/1
设计(Design)	比例(Scale):FULL	版次(Version):T0
	