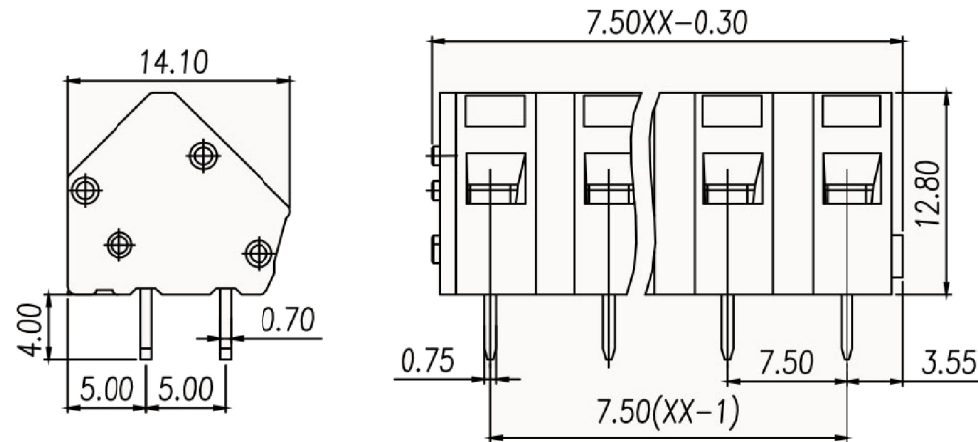


| 版次 (Version) | 变更内容 (Rev. Content) | 变更者 (Change Person) |
|-----------------|------------------------|------------------------|
| | | |
| | | |

| 技术参数 (Technical Data) | | | | |
|-----------------------------|---|----------------------------------|------------|------------|
| UL | 应用组别(Use group) | B | C | D |
| | 额定电器参数 (Rated Electrical Parameters) | 320V/17.5A | 320V/17.5A | 630V/17.5A |
| IEC | 过压类别(Overvoltage Category) /污染等级(Pollution Degree) | III/3 | III/2 | III/2 |
| | 额定电器参数 (Rated Electrical Parameters) | 320V/17.5A | 320V/17.5A | 630V/17.5A |
| 压线范围(Wire Range) | | / | | |
| 工频耐压(Frequency Voltage) | | AC 2500V | | |
| 冲击耐压(Rated Surge Voltage) | | 4000V | | |
| 绝缘阻抗(Insulation Resistance) | | DC500V 500MΩ above | | |
| 接触电阻(Contact Resistance) | | ≤20mΩ | | |
| 剥线长度(String Length) | | / | | |
| 工作温度(Temperature) | | -40° C--+105° C | | |
| 额定扭矩(Rated torque) | | / | | |
| 材质和电镀(Material and plating) | | | | |
| 绝缘材质(Housing) | | PA66 | | |
| 导体材料(Contact) | | 铜合金, 镀锡(Copper alloy, Sn plated) | | |
| / | | / | | |



产品命名编码:
(Product Number Code):

FS1.5-XX-750-04-YY


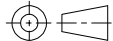
系列(Series) ———— 型号(Model)
极数(NO. of poles) ———— 塑体颜色(Housing Color)

端子间距(Pitch) ————

- | | |
|--------------|-------------------------|
| 1:绿色(Green) | 7:透明色 (Transparent) |
| 2:蓝色(Blue) | 8:白色(White) |
| 3:黑色(Black) | 9:黄色(Yellow) |
| 4:灰色(Grey) | Y:多种颜色 (Mixed color) |
| 5:橙色(Orange) | |
| 6:红色(Red) | |

P=7.50mm,N为孔位数(N for hole digits),有效位数为(Significant Digits):02p-19p

| N | 02P | 03P | 04P | 05P | 06P | 07P | 08P | 09P | 10P |
|---|-------|-------|-------|--------|--------|--------|--------|--------|--------|
| L | 14.70 | 22.20 | 29.70 | 37.20 | 44.70 | 52.20 | 59.70 | 67.20 | 74.70 |
| B | 7.50 | 15.00 | 22.50 | 30.00 | 37.50 | 45.00 | 52.50 | 60.00 | 67.50 |
| N | 11P | 12P | 13P | 14P | 15P | 16P | 17P | 18P | 19P |
| L | 82.20 | 89.70 | 97.20 | 104.70 | 112.20 | 119.70 | 127.20 | 134.70 | 142.20 |
| B | 75.00 | 82.50 | 90.00 | 97.50 | 105.00 | 112.50 | 120.00 | 127.50 | 135.00 |

| | | |
|--|-----------------------|--|
|  东莞市奥斯电子有限公司 DONGGUAN AOSI ELECTRONICS CO., LTD. | 公差范围(Tolerance Range) | |
| | 150~ | ±1.50 |
| 型号(Type): FS1.5-XX-750-04-YY | 60~150 | ±1.00 |
| | 30~60 | ±0.60 |
| 核准(Approval): | 6~30 | ±0.40 |
| | 0~6 | ±0.25 |
| 核审(Audit): | 图号(Drawing NO.): | 角度 X ±2° (Angle) X.X ±1° |
| | 单位(Units):mm | 页码(Page):1/1 |
| 设计(Design) | 比例(Scale):FULL |  版次(Version):T0 |