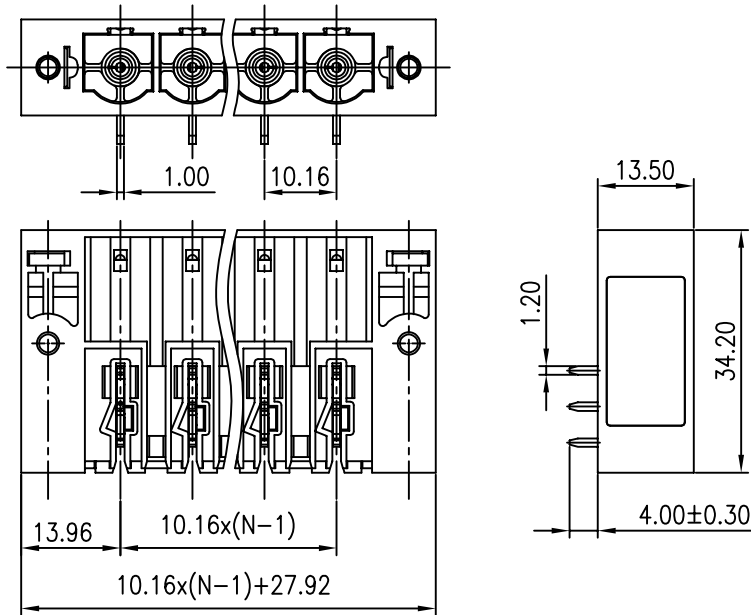
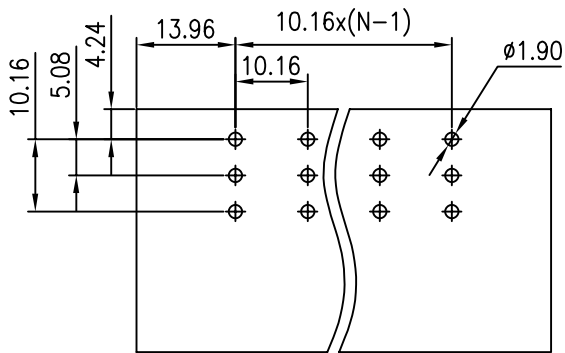


版次 (Version)	变更内容 (Rev. Content)	变更者 (Change Person)



PCB LAYOUT



P=10.16mm, N为孔位数(N for hole digits), 有效位数为(Significant Digits): 02p-19p

N	02P	03P	04P	05P	06P	07P	08P	09P	10P
L	38.08	48.24	58.40	68.56	78.72	88.88	99.04	109.20	119.36
B	10.16	20.32	30.48	40.64	50.80	60.96	71.12	81.28	91.44
N	11P	12P	13P	14P	15P	16P	17P	18P	19P
L	129.52	139.68	149.84	160.00	170.16	180.32	190.48	200.64	210.80
B	101.60	111.76	121.92	132.08	142.24	152.40	162.56	172.72	182.88

技术参数 (Technical Data)			
应用组别(Use group)	B	C	D
UL 额定电器参数 (Rated Electrical Parameters)	300V/55A	300V/55A	300V/55A
IEC 过压类别(Overvoltage Category) /污染等级(Pollution Degree)	III/3	III/2	III/2
额定电器参数 (Rated Electrical Parameters)	300V/55A	300V/55A	300V/55A
压线范围(Wire Range)	/		
工频耐压(Frequency Voltage)	AC 2500V		
冲击耐压(Rated Surge Voltage)	4000V		
绝缘阻抗(Insulation Resistance)	DC500V 500MΩ above		
接触电阻(Contact Resistance)	≤20mΩ		
剥线长度(String Length)	/		
工作温度(Temperature)	-40° C ~ +105° C		
额定扭矩(Rated torque)	/		
材质和电镀(Material and plating)			
绝缘材质(Housing)	PA66		
导体材料(Contact)	铜合金, 镀锡(Copper alloy, Sn plated)		
/	/		

产品命名编码:
(Product Number Code):

FPM10-XX-1016-04R-YY

系列(Series)

极数(NO. of poles)

端子间距(Pitch)

型号(Model)

塑体颜色(Housing Color)

- | | |
|--------------|-------------------------|
| 1:绿色(Green) | 7:透明色
(Transparent) |
| 2:蓝色(Blue) | 8:白色(White) |
| 3:黑色(Black) | 9:黄色(Yellow) |
| 4:灰色(Grey) | Y:多种颜色
(Mixed color) |
| 5:橙色(Orange) | |
| 6:红色(Red) | |

东莞市澳斯电子有限公司 DONGGUAN AOSI ELECTRONICS CO., LTD.		公差范围(Tolerance Range)	
型号(Type): FPM10-XX-1016-04R-YY		150~	±1.50
		60~150	±1.00
核准(Approval): 图号(Drawing NO.):		30~60	±0.60
		6~30	±0.40
核审(Audit): 单位(Units):mm 页码(Page):1/1		0~6	±0.25
		角度(Angle) X	±2°
设计(Design): 比例(Scale):FULL		X.X	±1°
		版次(Version):T0	