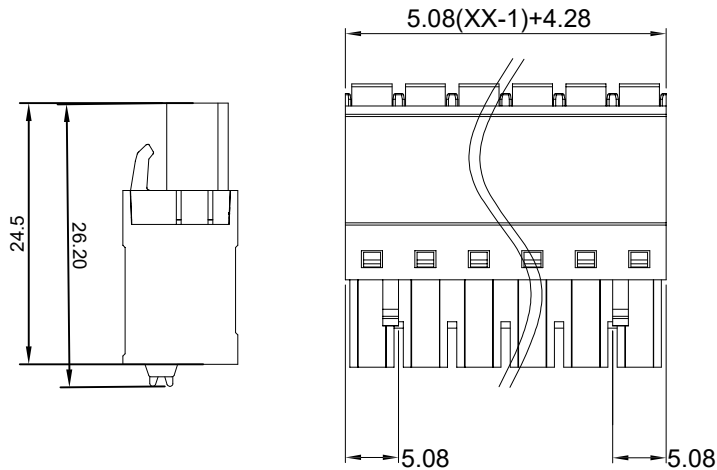


版次 (Version)	变更内容 (Rev. Content)	变更者 (Change Person)



技术参数 (Technical Data)				
UL	应用组别(Use group)	B	C	D
	额定电器参数 (Rated Electrical Parameters)	300V/12A	300V/12A	300V/12A
IEC	过压类别(Overvoltage Category) /污染等级 (Pollution Degree)	III/3	III/2	III/2
	额定电器参数 (Rated Electrical Parameters)	300V/12A	300V/12A	300V/12A
压线范围(Wire Range)		/		
工频耐压(Frequency Voltage)		AC 1600V		
冲击耐压(Rated Surge Voltage)		4000V		
绝缘阻抗 (Insulation Resistance)		DC500V 500MΩ above		
接触电阻(Contact Resistance)		≤20mΩ		
剥线长度(String Length)		/		
工作温度(Temperature)		-40° C--+105° C		
额定扭矩(Rated torque)		/		
材质和电镀(Material and plating)				
绝缘材质(Housing)		PA66		
导体材料(Contact)		铜合金, 镀锡(Copper alloy, Sn plisted)		
/		/		

产品命名编码:  
(Product Number Code):

FPS2.5-XX-508-02-YY

系列 (Series) ———— 型号 (Model)  
极数 (NO. of poles) ———— 塑体颜色 (Housing Color)

端子间距 (Pitch) ————

1:绿色(Green)	7:透明色 (Transparent)
2:蓝色(Blue)	8:白色(White)
3:黑色(Black)	9:黄色(Yellow)
4:灰色(Grey)	Y:多种颜色 (Mixed color)
5:橙色(Orange)	
6:红色(Red)	

P=5.08mm,N为孔位数(N for hole digits),有效位数为 (Significant Digits):02p-19p									
N	02P	03P	04P	05P	06P	07P	08P	09P	10P
L	9.36	14.44	19.52	24.6	29.68	34.76	39.84	44.92	50
B	5.08	10.16	15.24	20.32	25.40	30.48	35.56	40.64	45.72
N	11P	12P	13P	14P	15P	16P	17P	18P	19P
L	55.08	60.16	65.24	70.32	75.4	80.48	85.56	90.64	95.72
B	50.80	55.88	60.96	66.04	71.12	76.20	81.28	86.36	91.44

东莞市澳斯电子有限公司 DONGGUAN AOSI ELECTRONICS CO., LTD,		公差范围(Tolerance Range)	
		150~	±1.50
型号 (Type): FPS2.5-XX-508-02-YY		60~150	±1.00
		30~60	±0.60
核准 (Approval):		6~30	±0.40
		0~6	±0.25
核审 (Audit):		角度 (Angle)	X ±2°
		单位 (Units):mm	X.X ±1°
设计 (Design):		图号 (Drawing NO.):	页码 (Page):1/1
比例 (Scale):FULL		版次 (Version):T0	