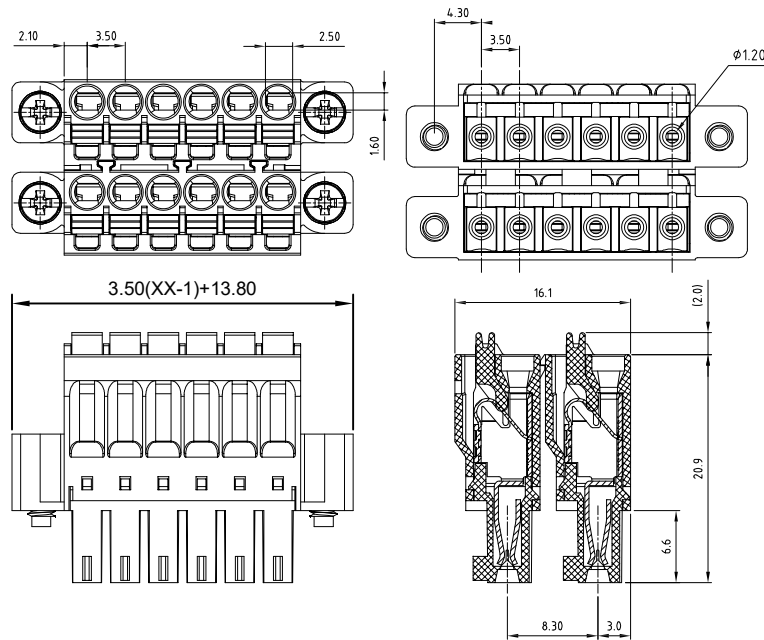


版次 (Version)	变更内容 (Rev. Content)	变更者 (Change Person)



技术参数 (Technical Data)			
应用组别(Use group)	B	C	D
UL 额定电器参数 (Rated Electrical Parameters)	300V/8A	300V/8A	300V/8A
IEC 过压类别(Overvoltage Category) /污染等级(Pollution Degree)	III/3	III/2	III/2
额定电器参数 (Rated Electrical Parameters)	300V/8A	300V/8A	300V/8A
压线范围(Wire Range)	/		
工频耐压(Frequency Voltage)	AC 1300V		
冲击耐压(Rated Surge Voltage)	4000V		
绝缘阻抗(Insulation Resistance)	DC500V 500MΩ above		
接触电阻(Contact Resistance)	≤20mΩ		
剥线长度(String Length)	/		
工作温度(Temperature)	-40° C--+105° C		
额定扭矩(Rated torque)	/		
材质和电镀(Material and plating)			
绝缘材质(Housing)	PA66		
导体材料(Contact)	铜合金, 镀锡(Copper alloy, Sn plisted)		
/	/		

产品命名编码:
(Product Number Code):

FPS1.5-XX-350-22M-YY

系列 (Series) ———— 型号 (Model)
极数 (NO. of poles) ———— 塑体颜色 (Housing Color)
端子间距 (Pitch) ————

- | | |
|--------------|-------------------------|
| 1:绿色(Green) | 7:透明色
(Transparent) |
| 2:蓝色(Blue) | 8:白色(White) |
| 3:黑色(Black) | 9:黄色(Yellow) |
| 4:灰色(Grey) | Y:多种颜色
(Mixed color) |
| 5:橙色(Orange) | |
| 6:红色(Red) | |

P=3.50mm,N为孔位数(N for hole digits),有效位数为 (Significant Digits):02p-19p

N	02P	03P	04P	05P	06P	07P	08P	09P	10P
L	17.30	20.80	24.30	27.80	31.30	34.80	38.30	41.80	45.30
B	3.50	7.00	10.50	14.00	17.50	21.00	24.50	28.00	31.50
N	11P	12P	13P	14P	15P	16P	17P	18P	19P
L	48.80	52.30	55.80	59.30	62.80	66.30	69.80	73.30	76.80
B	35.00	38.50	42.00	45.50	49.00	52.50	56.00	59.50	63.00

 东莞市澳斯电子有限公司 DONGGUAN AOSI ELECTRONICS CO., LTD.	公差范围(Tolerance Range)	
	150~	±1.50
型号(Type): FPS1.5-XX-350-22M-YY	60~150	±1.00
	30~60	±0.60
核准(Approval):	6~30	±0.40
	0~6	±0.25
核审(Audit):	角度(Angle)	X ±2°
	单位(Units):mm	X.X ±1°
设计(Design):	页码(Page):1/1	比例(Scale):FULL
		版次(Version):T0