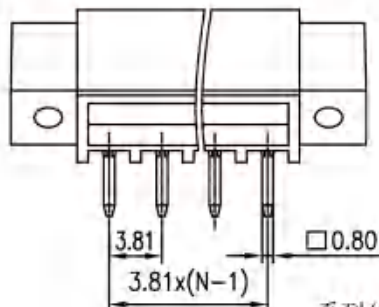
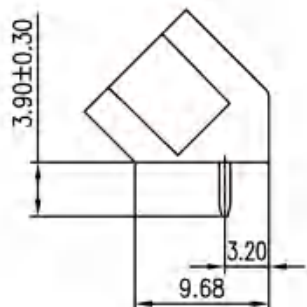
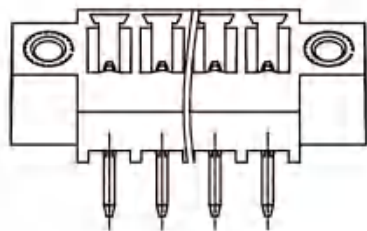
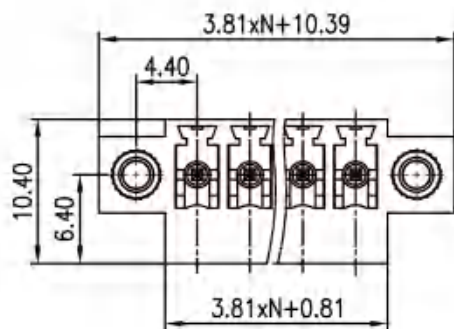


版次 (Version)	变更内容 (Rev. Content)	变更者 (Change Person)



技术参数 (Technical Data)				
UL	应用组别(Use group)	B	C	D
	额定电器参数 (Rated Electrical Parameters)	300V/8A	300V/8A	300V/8A
IEC	过压类别(Overvoltage Category)	III/3	III/2	III/2
	污染等级(Pollution Degree)			
	额定电器参数 (Rated Electrical Parameters)	300V/8A	300V/8A	300V/8A
压线范围(Wire Range)		/		
工频耐压(Frequency Voltage)		AC 1300V		
冲击耐压(Rated Surge Voltage)		4000V		
绝缘阻抗(Insulation Resistance)		DC500V 500MΩ above		
接触电阻(Contact Resistance)		≤20mΩ		
剥线长度(String Length)		/		
工作温度(Temperature)		-40° C ~ +105° C		
额定扭矩(Rated torque)		/		
材质和电镀(Material and plating)				
绝缘材质(Housing)		PA66		
导体材料(Contact)		铜合金, 镀锡(Copper alloy, Sn plated)		
/		/		

产品命名编码:
(Product Number Code):

FPM1.5-XX-381-15-YY



- | | |
|--------------|-------------------------|
| 1:绿色(Green) | 7:透明色
(Transparent) |
| 2:蓝色(Blue) | 8:白色(White) |
| 3:黑色(Black) | 9:黄色(Yellow) |
| 4:灰色(Grey) | Y:多种颜色
(Mixed color) |
| 5:橙色(Orange) | |
| 6:红色(Red) | |

P=3.81mm,N为孔位数(N for hole digits),有效位数为(Significant Digits):02p-19p

N	02P	03P	04P	05P	06P	07P	08P	09P	10P
L	18.01	21.82	25.63	29.44	33.25	37.06	40.87	44.68	48.49
B	3.81	7.62	11.43	15.24	19.05	22.86	26.67	30.48	34.29
N	11P	12P	13P	14P	15P	16P	17P	18P	19P
L	52.30	56.11	59.92	63.73	67.54	71.35	75.16	78.97	82.78
B	38.10	41.91	45.72	49.53	53.34	57.15	60.96	64.77	68.58

东莞市澳斯电子有限公司 DONGGUAN AOSI ELECTRONICS CO., LTD.		公差范围(Tolerance Range)
型号(Type): FPM1.5-XX-381-15-YY		150~ ±1.50
核准(Approval):		60~150 ±1.00
图号(Drawing NO.):		30~60 ±0.60
核审(Audit):		6~30 ±0.40
单位(Units):mm		0~6 ±0.25
页码(Page):1/1		角度 X ±2°
比例(Scale):FULL		(Angle) XX ±1°
设计(Design)		版次(Version):T0