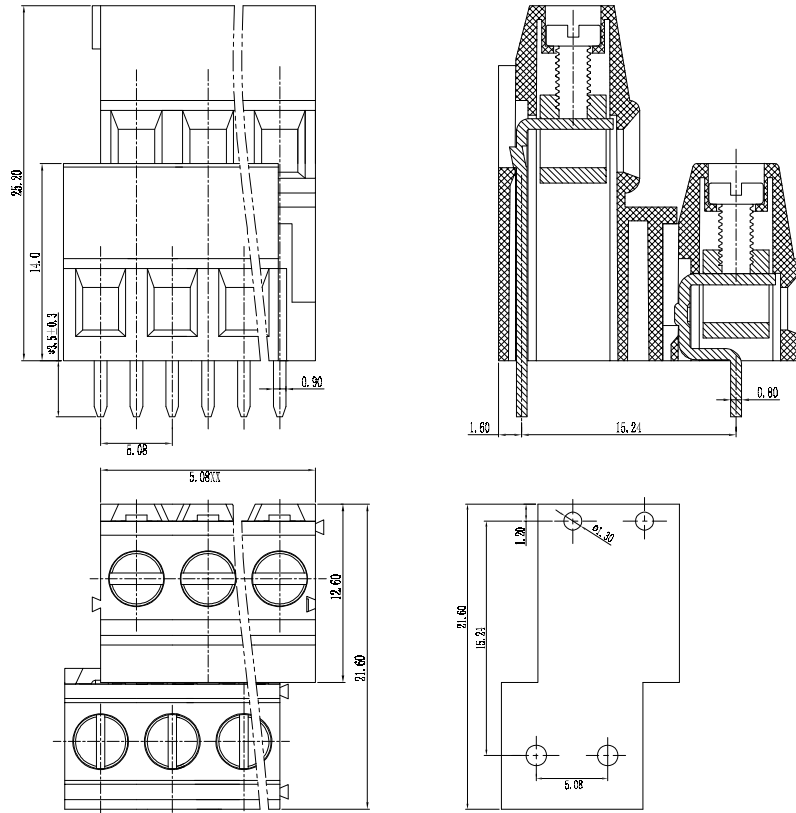


版次 (Version)	变更内容 (Rev. Content)	变更者 (Change Person)



技术参数 (Technical Data)				
应用组别(Use group)	B	C	D	
UL 额定电器参数 (Rated Electrical Parameters)	300V/15A	300V/15A	300V/15A	
IEC 过压类别 (Overvoltage Category) /污染等级 (Pollution Degree)	III/3	III/2	III/2	
额定电器参数 (Rated Electrical Parameters)	300V/15A	300V/15A	300V/15A	
压线范围(Wire Range)	/			
工频耐压(Frequency Voltage)	AC 1600V			
冲击耐压(Rated Surge Voltage)	4000V			
绝缘阻抗 (Insulation Resistance)	DC500V 500MΩ above			
接触电阻(Contact Resistance)	≤20mΩ			
剥线长度(String Length)	/			
工作温度(Temperature)	-40° C--+105° C			
额定扭矩(Rated torque)	/			
材质和电镀 (Material and plating)				
绝缘材质(Housing)	PA66			
导体材料(Contact)	铜合金, 镀锡(Copper alloy, Sn plsted)			
/	/			

产品命名编码:
(Product Number Code):

FET2.5-XX-508-22B-YY

系列(Series) _____ 型号(Model) _____
极数(NO. of poles) _____ 塑体颜色(Housing Color) _____

端子间距(Pitch) _____

- | | |
|--------------|-------------------------|
| 1:绿色(Green) | 7:透明色
(Transparent) |
| 2:蓝色(Blue) | 8:白色(White) |
| 3:黑色(Black) | 9:黄色(Yellow) |
| 4:灰色(Grey) | Y:多种颜色
(Mixed color) |
| 5:橙色(Orange) | |
| 6:红色(Red) | |

P=5.08mm,N为孔位数(N for hole digits),有效位数为(Significant Digits):02p-19p

N	02P	03P	04P	05P	06P	07P	08P	09P	10P
L	12.46	17.54	22.62	27.70	32.78	37.86	42.94	48.02	53.10
B	5.08	10.16	15.24	20.32	25.4	30.48	35.56	40.64	45.72
N	11P	12P	13P	14P	15P	16P	17P	18P	19P
L	58.18	63.26	68.34	73.42	78.50	83.58	88.66	93.74	98.82
B	50.8	55.88	60.96	66.04	71.12	76.2	81.28	86.36	91.44

东莞市奥斯电子有限公司 DONGGUAN AOSI ELECTRONICS CO., LTD.		公差范围(Tolerance Range)		
		150~	±1.50	
型号(Type): FET2.5-XX-508-22B-YY		60~150	±1.00	
		30~60	±0.60	
核准(Approval): _____ 图号(Drawing NO.): _____		6~30	±0.40	
		0~6	±0.25	
核审(Audit): _____	单位(Units):mm	页码(Page):1/1	角度 X	±2°
			(Angle) X.X	±1°
设计(Design)	比例(Scale):FULL		版次(Version):T0	