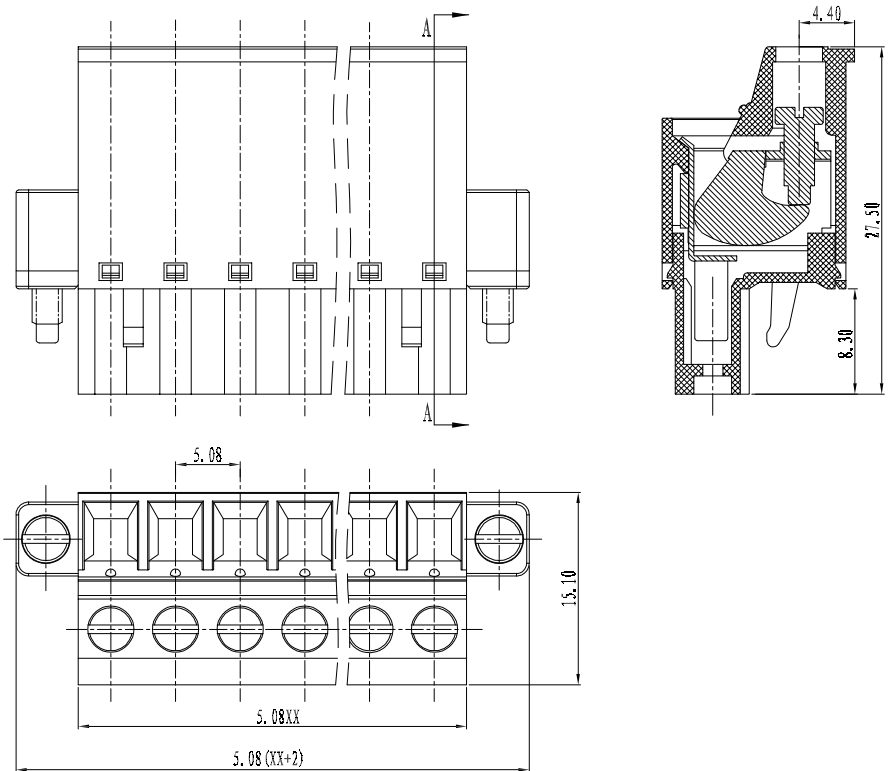


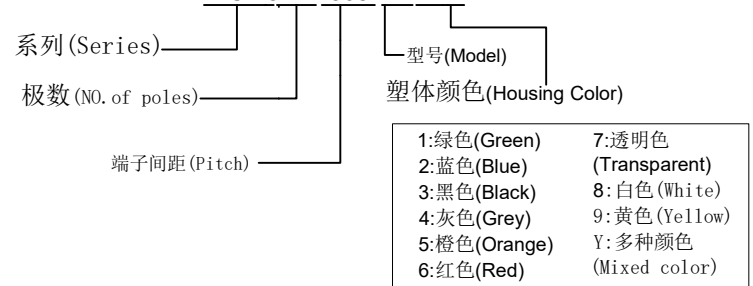
版次 (Version)	变更内容 (Rev. Content)	变更者 (Change Person)



技术参数 (Technical Data)				
UL	应用组别(Use group)	B	C	D
IEC	额定电器参数 (Rated Electrical Parameters)	300V/15A	300V/15A	300V/15A
	过压类别 (Overvoltage Category) /污染等级 (Pollution Degree)	III/3	III/2	III/2
	额定电器参数 (Rated Electrical Parameters)	300V/15A	300V/15A	300V/15A
	压线范围(Wire Range)	/		
	工频耐压(Frequency Voltage)	AC 1600V		
	冲击耐压(Rated Surge Voltage)	4000V		
	绝缘阻抗(Insulation Resistance)	DC500V 500MΩ above		
	接触电阻(Contact Resistance)	≤20mΩ		
	剥线长度(String Length)	/		
	工作温度(Temperature)	-40° C--+105° C		
	额定扭矩(Rated torque)	/		
材质和电镀(Material and plating)				
	绝缘材质(Housing)	PA66		
	导体材料(Contact)	铜合金, 镀锡(Copper alloy, Sn plated)		
	/	/		

产品命名编码:
(Product Number Code):

FPC2.5-XX-508-11M-YY



P=5.08mm,N为孔位数(N for hole digits),有效位数为(Significant Digits):02p-19p

N	02P	03P	04P	05P	06P	07P	08P	09P	10P
L	20.32	25.40	30.48	35.56	40.64	45.72	50.80	55.88	60.96
B	5.08	10.16	15.24	20.32	25.40	30.48	35.56	40.64	45.72
N	11P	12P	13P	14P	15P	16P	17P	18P	19P
L	66.04	71.12	76.20	81.28	86.36	91.44	96.52	101.60	106.68
B	50.80	55.88	60.96	66.04	71.12	76.20	81.28	86.36	91.44

东莞市澳斯电子有限公司 DONGGUAN AOSI ELECTRONICS CO., LTD,	公差范围(Tolerance Range)	
	150~	±1.50
型号(Type): FPC2.5-XX-508-11M-YY	60~150	±1.00
	30~60	±0.60
核准(Approval):	6~30	±0.40
	0~6	±0.25
核审(Audit):	角度(Angle)	X ±2°
	单位(Units):mm	XX ±1°
设计(Design)	页码(Page):1/1	比例(Scale):FULL
		版次(Version):T0