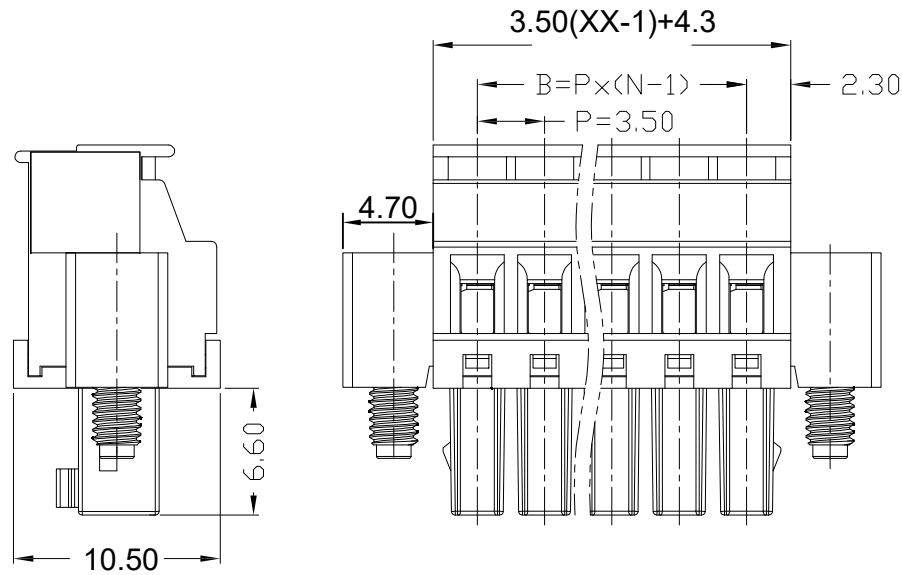


| 版次 (Version) | 变更内容 (Rev. Content) | 变更者 (Change Person) |
|-----------------|------------------------|------------------------|
| | | |
| | | |



| 技术参数 (Technical Data) | | | | |
|-----------------------------------------------------------------|----------------------------------|---------|---------|--|
| 应用组别(Use group) | B | C | D | |
| UL 额定电器参数 (Rated Electrical Parameters) | 300V/8A | 300V/8A | 300V/8A | |
| IEC 过压类别 (Overvoltage Category) / 污染等级 (Pollution Degree) | III/3 | III/2 | III/2 | |
| 额定电器参数 (Rated Electrical Parameters) | 300V/8A | 300V/8A | 300V/8A | |
| 压线范围(Wire Range) | / | | | |
| 工频耐压(Frequency Voltage) | AC 1300V | | | |
| 冲击耐压(Rated Surge Voltage) | 4000V | | | |
| 绝缘阻抗 (Insulation Resistance) | DC500V 500MΩ above | | | |
| 接触电阻(Contact Resistance) | ≤20mΩ | | | |
| 剥线长度(String Length) | / | | | |
| 工作温度(Temperature) | -40° C--+105° C | | | |
| 额定扭矩(Rated torque) | / | | | |
| 材质和电镀(Material and plating) | | | | |
| 绝缘材质(Housing) | PA66 | | | |
| 导体材料(Contact) | 铜合金, 镀锡(Copper alloy, Sn plated) | | | |
| / | / | | | |

产品命名编码:
(Product Number Code):


FPC1.5-XX-350-05M-YY

系列(Series) ———— 型号(Model)
极数(NO. of poles) ———— 塑体颜色(Housing Color)
端子间距(Pitch) ————

- | | |
|--------------|-------------------------|
| 1:绿色(Green) | 7:透明色 (Transparent) |
| 2:蓝色(Blue) | 8:白色(White) |
| 3:黑色(Black) | 9:黄色(Yellow) |
| 4:灰色(Grey) | Y:多种颜色 (Mixed color) |
| 5:橙色(Orange) | |
| 6:红色(Red) | |

P=3.50mm,N为孔位数(N for hole digits),有效位数为 (Significant Digits):02p-19p

| N | 02P | 03P | 04P | 05P | 06P | 07P | 08P | 09P | 10P |
|---|-------|-------|-------|-------|-------|-------|-------|-------|-------|
| L | 17.20 | 20.70 | 24.20 | 27.70 | 31.20 | 34.70 | 38.20 | 41.70 | 45.20 |
| B | 3.50 | 7.00 | 10.50 | 14.00 | 17.50 | 21.00 | 24.50 | 28.00 | 31.50 |
| N | 11P | 12P | 13P | 14P | 15P | 16P | 17P | 18P | 19P |
| L | 48.70 | 52.20 | 55.70 | 59.20 | 62.70 | 66.20 | 69.70 | 73.20 | 76.70 |
| B | 35.00 | 38.50 | 42.00 | 45.50 | 49.00 | 52.50 | 56.00 | 59.50 | 63.00 |

| | | |
|--------------------------------------------------------------------------------------------------------------------------------------------------------|-----------------------|-----------------|
|  东莞市澳斯电子有限公司 DONGGUAN AOSI ELECTRONICS CO., LTD. | 公差范围(Tolerance Range) | |
| | 150~ | ±1.50 |
| 型号(Type): FPC1.5-XX-350-05M-YY | 60~150 | ±1.00 |
| | 30~60 | ±0.60 |
| 核准(Approval): | 6~30 | ±0.40 |
| | 0~6 | ±0.25 |
| 核审(Audit): | 角度 (Angle) | X ±2° |
| | 单位(Units):mm | X.X ±1° |
| 设计(Design) | 图号(Drawing NO.): | 页码(Page):1/1 |
| | 比例(Scale):FULL | 版次 (Version):T0 |