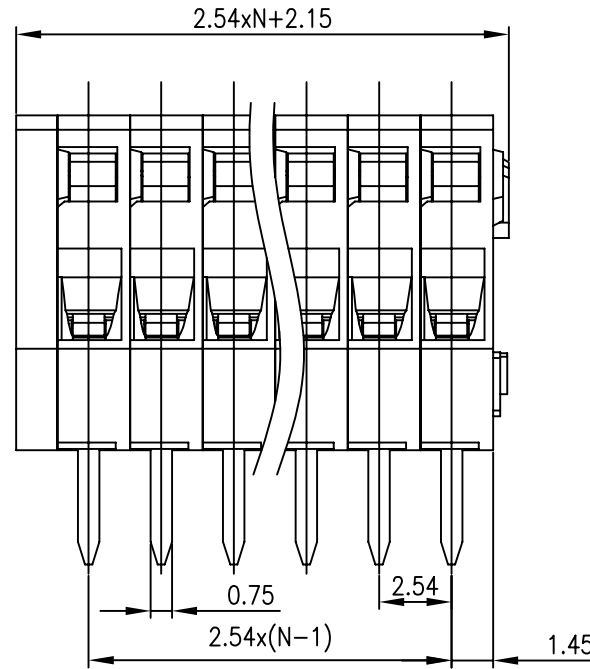
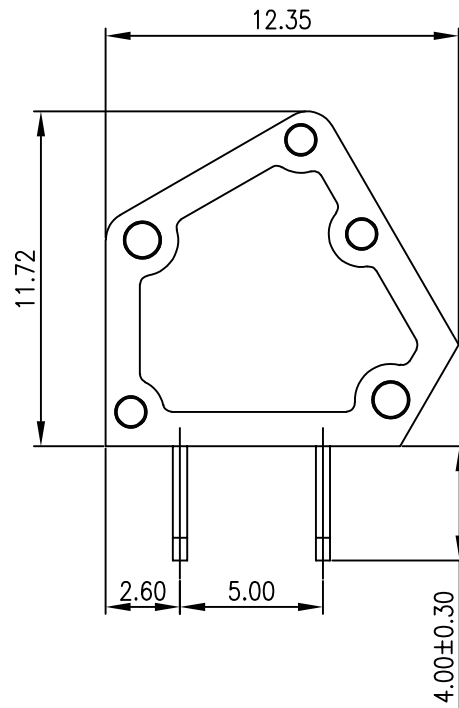


版次 (Version)	变更内容 (Rev. Content)	变更者 (Change Person)



技术参数 (Technical Data)				
应用组别(Use group)	B	C	D	
UL 应用组别(Use group) (Rated Electrical Parameters)	150V/4A	150V/4A	150V/4A	
IEC 应用组别(Use group) (Rated Electrical Parameters)	III/3	III/2	III/2	
过压类别(Overvoltage Category) /污染等级(Pollution Degree)	III/3	III/2	III/2	
额定电器参数 (Rated Electrical Parameters)	150V/4A	150V/4A	150V/4A	
压线范围(Wire Range)	/			
工频耐压(Frequency Voltage)	AC 2500V			
冲击耐压(Rated Surge Voltage)	4000V			
绝缘阻抗(Insulation Resistance)	DC500V 500MΩ above			
接触电阻(Contact Resistance)	≤20mΩ			
剥线长度(String Length)	11			
工作温度(Temperature)	-40° C--+105° C			
额定扭矩(Rated torque)	/			
材质和电镀(Material and plating)				
绝缘材质(Housing)	PA66			
导体材料(Contact)	铜合金, 镀锡(Copper alloy, Sn plated)			
/	/			

产品命名编码:
(Product Number Code):

FS1-XX-254-05W-YY

系列(Series) ———— 型号(Model)
极数(NO. of poles) ———— 塑体颜色(Housing Color)

端子间距(Pitch) ————

- | | |
|--------------|-------------------------|
| 1:绿色(Green) | 7:透明色
(Transparent) |
| 2:蓝色(Blue) | 8:白色(White) |
| 3:黑色(Black) | 9:黄色(Yellow) |
| 4:灰色(Grey) | Y:多种颜色
(Mixed color) |
| 5:橙色(Orange) | |
| 6:红色(Red) | |

P=2.54mm,N为孔位数(N for hole digits),有效位数为(Significant Digits):02p-19p

N	02P	03P	04P	05P	06P	07P	08P	09P	10P
L	7.23	9.77	12.31	14.85	17.39	19.93	22.47	25.01	27.55
B	2.54	5.08	7.62	10.16	12.70	15.24	17.78	20.32	22.86
N	11P	12P	13P	14P	15P	16P	17P	18P	19P
L	30.09	32.63	35.17	37.71	40.25	42.79	45.33	47.87	50.41
B	25.40	27.94	30.48	33.02	35.56	38.10	40.64	43.18	45.72

东莞市澳斯电子有限公司 DONGGUAN AOSI ELECTRONICS CO., LTD		公差范围(Tolerance Range)	
型号(Type): FS1-XX-254-05W-YY		150~	±1.50
核准(Approval): 图号(Drawing NO.):		60~150	±1.00
核审(Audit): 单位(Units):mm 页码(Page):1/1		30~60	±0.60
设计(Design): 比例(Scale):FULL		6~30	±0.40
		0~6	±0.25
		角度(Angle)	X ±2° X.X ±1°
		版次(Version):	T0