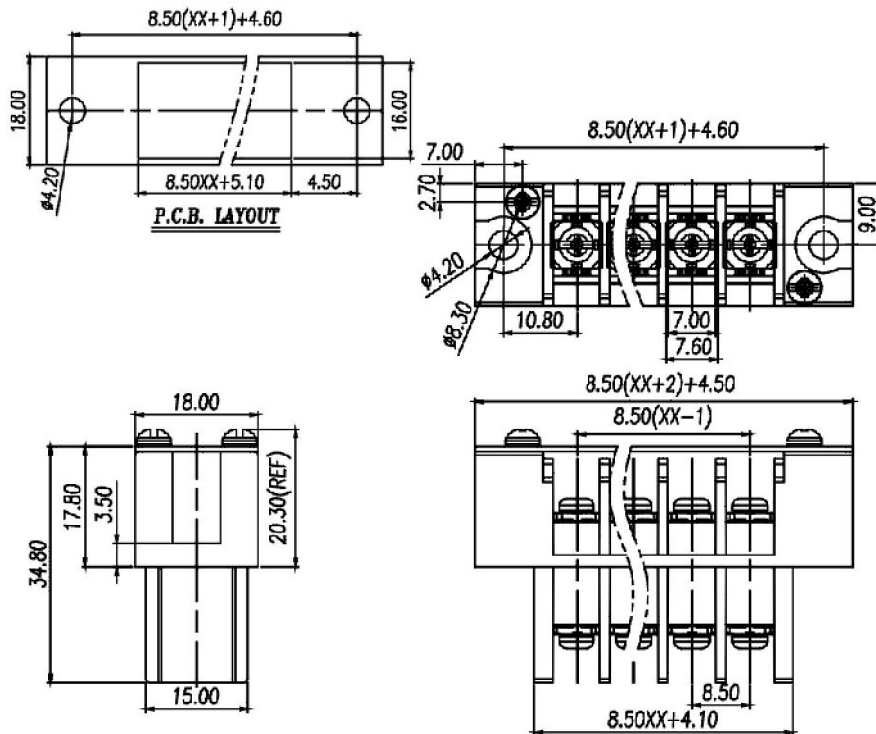


版次 (Version)	变更内容 (Rev. Content)	变更者 (Change Person)



技术参数 (Technical Data)				
UL	应用组别(Use group)	B	C	D
	额定电器参数 (Rated Electrical Parameters)	300V/20A	300V/20A	300V/20A
	过压类别(Overvoltage Category) /污染等级(Pollution Degree)	III/3	III/2	III/2
IEC	额定电器参数 (Rated Electrical Parameters)	400V/24A	400V/24A	400V/24A
压线范围(Wire Range)		/		
工频耐压(Frequency Voltage)		AC 2500V		
冲击耐压(Rated Surge Voltage)		4000V		
绝缘阻抗(Insulation Resistance)		DC500V 500MΩ above		
接触电阻(Contact Resistance)		≤20mΩ		
剥线长度(String Length)		10		
工作温度(Temperature)		-40° C--+105° C		
额定扭矩(Rated torque)		/		
材质和电镀(Material and plating)				
绝缘材质(Housing)		PA66		
导体材料(Contact)		铜合金, 镀锡(Copper alloy, Sn plsted)		
/		/		

产品命名编码:
(Product Number Code):

BT2.5-XX-850-10C-YY

系列(Series) ————
极数(NO. of poles) ————
端子间距(Pitch) ————

型号(Model) ————
塑体颜色(Housing Color) ————

- | | |
|--------------|-------------------------|
| 1:绿色(Green) | 7:透明色
(Transparent) |
| 2:蓝色(Blue) | 8:白色(White) |
| 3:黑色(Black) | 9:黄色(Yellow) |
| 4:灰色(Grey) | Y:多种颜色
(Mixed color) |
| 5:橙色(Orange) | |
| 6:红色(Red) | |

P=8.50mm,N为孔位数(N for hole digits),有效位数为(Significant Digits):02p-19p

	N	02P	03P	04P	05P	06P	07P	08P	09P	10P
L	38.50	47.00	55.50	64.00	72.50	81.00	89.50	98.00	106.50	
B	8.50	17.00	25.50	34.00	42.50	51.00	59.50	68.00	76.50	
N	11P	12P	13P	14P	15P	16P	17P	18P	19P	
L	115.00	123.50	132.00	140.50	149.00	157.50	166.00	174.50	183.00	
B	85.00	93.50	102.00	110.50	119.00	127.50	136.00	144.50	153.00	

东莞市奥斯电子有限公司 DONGGUAN AOSI ELECTRONICS CO., LTD,	公差范围(Tolerance Range)	
	150~	±1.50
型号(Type): BT2.5-XX-850-10C-YY	60~150	±1.00
	30~60	±0.60
核准(Approval):	6~30	±0.40
	0~6	±0.25
核审(Audit):	角度(Angle)	X ±2°
	单位(Units):mm	XX ±1°
设计(Design)	页码(Page):1/1	版次(Version):T0