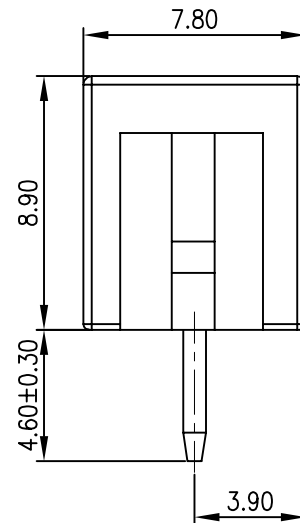
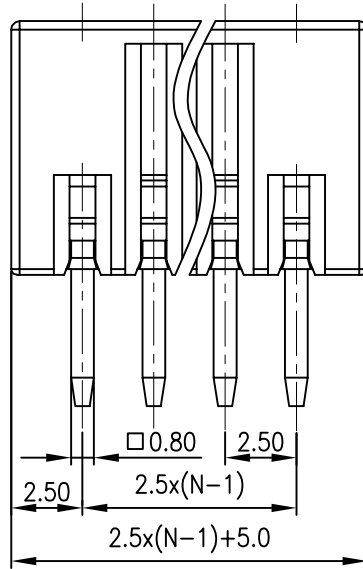
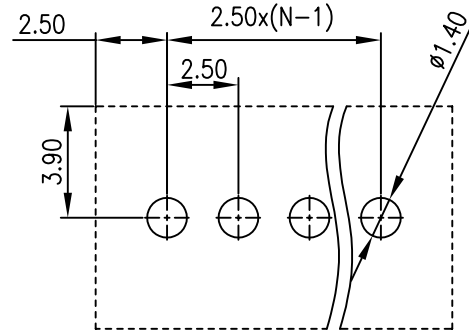
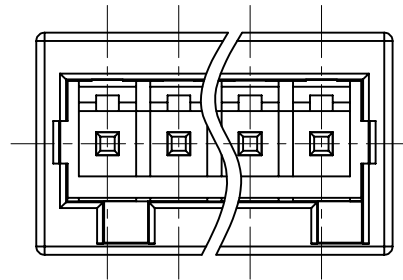


版次 (Version)	变更内容 (Rev. Content)	变更者 (Change Person)

PCB LAYOUT



技术参数 (Technical Data)				
UL	应用组别(Use group)	B	C	D
	额定电器参数 (Rated Electrical Parameters)	150V/4A	150V/4A	150V/4A
IEC	过压类别(Overvoltage Category) /污染等级(Pollution Degree)	III/3	III/2	III/2
	额定电器参数 (Rated Electrical Parameters)	150V/4A	150V/4A	150V/4A
压线范围(Wire Range)		/		
工频耐压(Frequency Voltage)		AC 1300V		
冲击耐压(Rated Surge Voltage)		4000V		
绝缘阻抗(Insulation Resistance)		DC500V 500MΩ above		
接触电阻(Contact Resistance)		≤20mΩ		
剥线长度(String Length)		/		
工作温度(Temperature)		-40° C--+105° C		
额定扭矩(Rated torque)		/		
材质和电镀(Material and plating)				
绝缘材质(Housing)		PA66		
导体材料(Contact)		铜合金, 镀锡(Copper alloy, Sn plsted)		
/		/		

产品命名编码:
(Product Number Code):

FPM1-XX-250-22-YY

系列(Series) ————
极数(NO. of poles) ————
端子间距(Pitch) ————
型号(Model) ————
塑体颜色(Housing Color) ————

- | | |
|--------------|---------------|
| 1:绿色(Green) | 7:透明色 |
| 2:蓝色(Blue) | 8:透明色 |
| 3:黑色(Black) | 8:白色(White) |
| 4:灰色(Grey) | 9:黄色(Yellow) |
| 5:橙色(Orange) | Y:多种颜色 |
| 6:红色(Red) | (Mixed color) |

P=2.50mm,N为孔位数(N for hole digits),有效位数为(Significant Digits):02p-19p

N	02P	03P	04P	05P	06P	07P	08P	09P	10P
L	7.5	10.00	12.50	15.00	17.50	20.00	22.50	25.00	27.50
B	2.50	5.00	7.50	10.00	12.50	15.00	17.50	20.00	22.50
N	11P	12P	13P	14P	15P	16P	17P	18P	19P
L	30.00	32.50	35.00	37.50	40.00	42.50	45.00	47.50	50.00
B	25.00	27.50	30.00	32.50	35.00	37.50	40.00	42.50	45.00

东莞市澳斯电子有限公司 DONGGUAN AOSI ELECTRONICS CO., LTD			公差范围(Tolerance Range)	
型号(Type): FPM1-XX-250-22-YY			150~	±1.50
			60~150	±1.00
核准(Approval): 图号(Drawing NO.):			30~60	±0.60
			6~30	±0.40
核审(Audit): 单位(Units):mm 页码(Page):1/1			0~6	±0.25
			角度(Angle)	X ±2° X.X ±1°
设计(Design) 比例(Scale):FULL			版次(Version):T0	