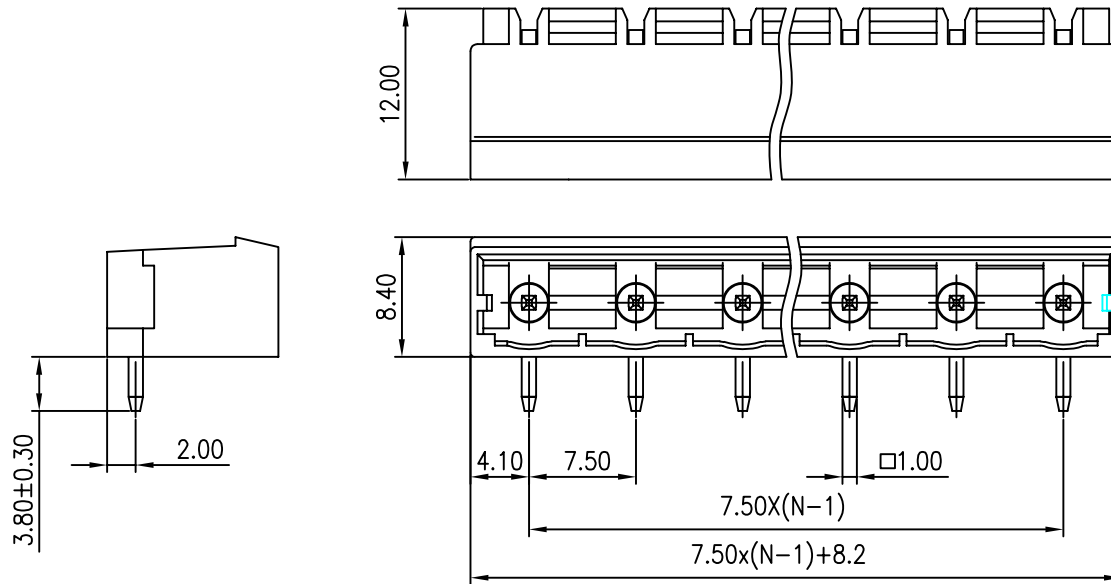


版次 (Version)	变更内容 (Rev. Content)	变更者 (Change Person)

技术参数 (Technical Data)

应用组别(Use group)	B	C	D
UL 额定电器参数 (Rated Electrical Parameters)	300V/15A	300V/15A	300V/15A
过压类别(Overvoltage Category) /污染等级(Pollution Degree)	III/3	III/2	III/2
IEC 额定电器参数 (Rated Electrical Parameters)	300V/15A	300V/15A	300V/15A
压线范围(Wire Range)	/		
工频耐压(Frequency Voltage)	AC 2500V		
冲击耐压(Rated Surge Voltage)	4000V		
绝缘阻抗(Insulation Resistance)	DC500V 500MΩ above		
接触电阻(Contact Resistance)	≤20mΩ		
剥线长度(String Length)	/		
工作温度(Temperature)	-40° C--+105° C		
额定扭矩(Rated torque)	/		
材质和电镀(Material and plating)			
绝缘材质(Housing)	PA66		
导体材料(Contact)	铜合金, 镀锡(Copper alloy, Sn plated)		
/	/		



产品命名编码:  
(Product Number Code):

FPM2.5-XX-750-22RB-YY

系列(Series)

极数(NO. of poles)

端子间距(Pitch)

型号(Model)

塑体颜色(Housing Color)

- |              |                         |
|--------------|-------------------------|
| 1:绿色(Green)  | 7:透明色<br>(Transparent)  |
| 2:蓝色(Blue)   | 8:白色(White)             |
| 3:黑色(Black)  | 9:黄色(Yellow)            |
| 4:灰色(Grey)   | Y:多种颜色<br>(Mixed color) |
| 5:橙色(Orange) |                         |
| 6:红色(Red)    |                         |

P=7.50mm,N为孔位数(N for hole digits),有效位数为(Significant Digits):02p-19p

N	02P	03P	04P	05P	06P	07P	08P	09P	10P
L	15.70	23.20	30.70	38.20	45.70	53.20	60.70	68.20	75.70
B	7.50	15.00	22.50	30.00	37.50	45.00	52.50	60.00	67.50
N	11P	12P	13P	14P	15P	16P	17P	18P	19P
L	83.20	90.70	98.30	105.70	113.20	120.70	128.30	135.70	143.20
B	75.00	82.50	90.00	97.50	105.00	112.50	120.00	127.50	135.00

东莞市澳斯电子有限公司 DONGGUAN AOSI ELECTRONICS CO., LTD.	公差范围(Tolerance Range)	
	150~	±1.50
型号(Type): FPM2.5-XX-750-22RB-YY	60~150	±1.00
	30~60	±0.60
核准(Approval):	6~30	±0.40
	0~6	±0.25
核审(Audit):	角度(Angle)	X ±2°
	单位(Units):mm	XX ±1°
设计(Design):	比例(Scale):FULL	版次(Version):T0