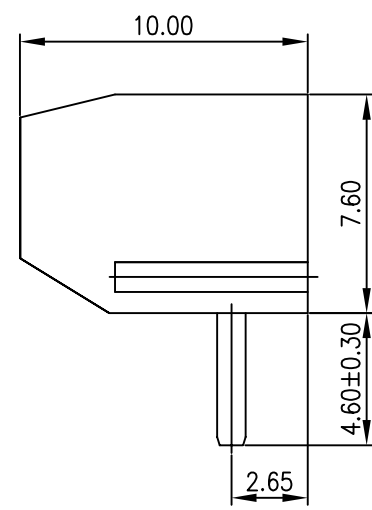
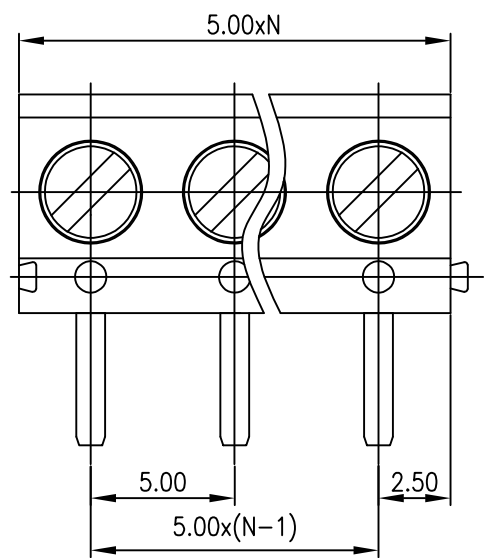
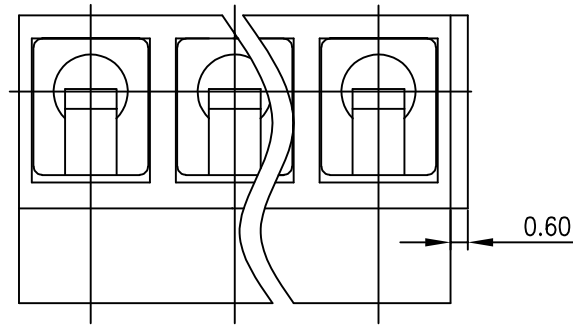


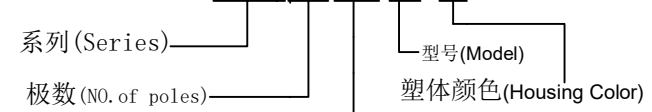
版次 (Version)	变更内容 (Rev. Content)	变更者 (Change Person)



技术参数 (Technical Data)				
UL	应用组别(Use group)	B	C	D
	额定电器参数 (Rated Electrical Parameters)	250V/16A	250V/16A	250V/16A
IEC	过压类别(Overvoltage Category) /污染等级(Pollution Degree)	III/3	III/2	III/2
	额定电器参数 (Rated Electrical Parameters)	250V/16A	250V/16A	250V/16A
压线范围(Wire Range)		/		
工频耐压(Frequency Voltage)		AC 1600V		
冲击耐压(Rated Surge Voltage)		4000V		
绝缘阻抗(Insulation Resistance)		DC500V 500MΩ above		
接触电阻(Contact Resistance)		≤20mΩ		
剥线长度(String Length)		/		
工作温度(Temperature)		-40° C--+105° C		
额定扭矩(Rated torque)		/		
材质和电镀(Material and plating)				
绝缘材质(Housing)		PA66		
导体材料(Contact)		铜合金, 镀锡(Copper alloy, Sn plsted)		
/		/		

产品命名编码:
(Product Number Code):

FEA2.5-XX-500-04R-YY



- 端子间距 (Pitch)
- 1: 绿色 (Green)
 - 2: 蓝色 (Blue)
 - 3: 黑色 (Black)
 - 4: 灰色 (Grey)
 - 5: 橙色 (Orange)
 - 6: 红色 (Red)
 - 7: 透明色 (Transparent)
 - 8: 白色 (White)
 - 9: 黄色 (Yellow)
 - Y: 多种颜色 (Mixed color)

P=5.00mm,N为孔位数(N for hole digits),有效位数为 (Significant Digits):02p-19p

N	02P	03P	04P	05P	06P	07P	08P	09P	10P
L	10.60	15.60	20.60	25.60	30.6	35.60	40.60	45.60	50.60
B	5.00	10.00	15.00	20.00	25.00	30.00	35.00	40.00	45.00
N	11P	12P	13P	14P	15P	16P	17P	18P	19P
L	55.60	60.60	65.60	70.60	75.60	80.60	85.60	90.60	100.60
B	50.00	55.00	60.00	65.00	70.00	75.00	80.00	85.00	90.00

东莞市澳斯电子有限公司 DONGGUAN AOSI ELECTRONICS CO., LTD,	公差范围(Tolerance Range)	
	150~	±1.50
型号(Type): FEA2.5-XX-500-04R-YY	60~150	±1.00
	30~60	±0.60
核准(Approval):	6~30	±0.40
	0~6	±0.25
核审(Audit):	角度 (Angle)	X ±2°
	单位(Units):mm	X.X ±1°
设计(Design):	页码(Page):1/1	版次(Version):T0

比例(Scale):FULL