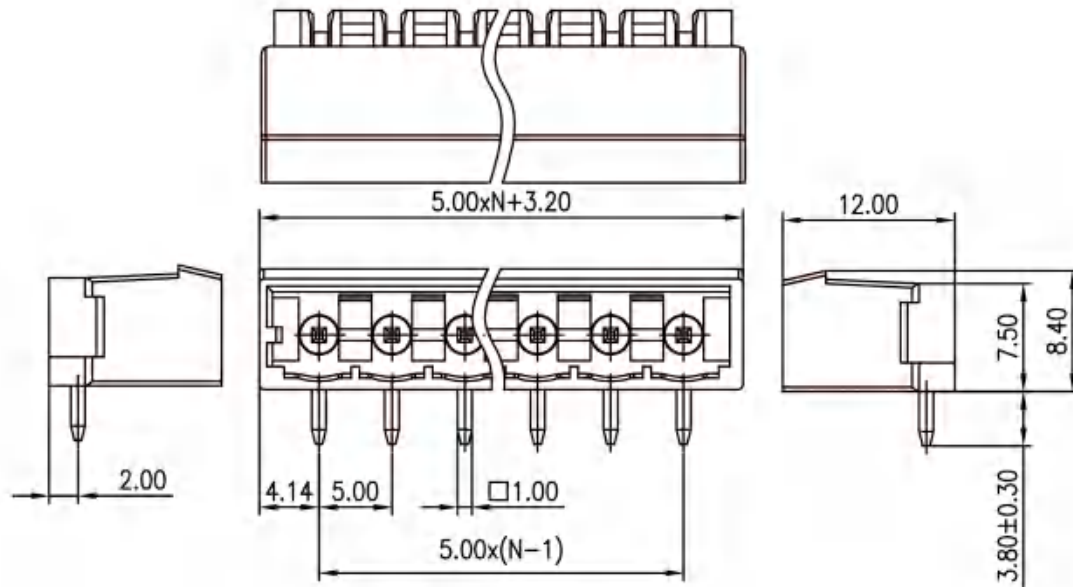


版次 (Version)	变更内容 (Rev. Content)	变更者 (Change Person)



技术参数 (Technical Data)				
UL	应用组别(Use group)	B	C	D
	额定电参数 (Rated Electrical Parameters)	300V/15A	300V/15A	300V/15A
IEC	过压类别(Overvoltage Category)	III/3	III/2	III/2
	污染等级(Pollution Degree)			
	额定电参数 (Rated Electrical Parameters)	300V/15A	300V/15A	300V/15A
	压线范围(Wire Range)	/		
	工频耐压(Frequency Voltage)	AC 1600V		
	冲击耐压(Rated Surge Voltage)	4000V		
	绝缘阻抗(Insulation Resistance)	DC500V 500MΩ above		
	接触电阻(Contact Resistance)	≤20mΩ		
	剥线长度(String Length)	/		
	工作温度(Temperature)	-40° C--+105° C		
	额定扭矩(Rated torque)	/		
材质和电镀(Material and plating)				
	绝缘材质(Housing)	PA66		
	导体材料(Contact)	铜合金, 镀锡(Copper alloy, Sn plated)		
		/		

产品命名编码:
(Product Number Code):

FPM2.5-XX-500-23B-YY

系列(Series) ———— 型号(Model)
极数(No. of poles) ———— 塑体颜色(Housing Color)
端子间距(Pitch) ————

- | | |
|--------------|-------------------------|
| 1:绿色(Green) | 7:透明色
(Transparent) |
| 2:蓝色(Blue) | 8:白色(White) |
| 3:黑色(Black) | 9:黄色(Yellow) |
| 4:灰色(Grey) | Y:多种颜色
(Mixed color) |
| 5:橙色(Orange) | |
| 6:红色(Red) | |

P=5.00mm,N为孔位数(N for hole digits),有效位数为(Significant Digits):02p-19p

N	02P	03P	04P	05P	06P	07P	08P	09P	10P
L	13.20	18.20	23.20	28.20	33.20	38.20	43.20	48.20	53.20
B	5.00	10.00	15.00	20.00	25.00	30.00	35.00	40.00	45.00
N	11P	12P	13P	14P	15P	16P	17P	18P	19P
L	58.20	63.20	68.20	73.20	78.20	83.20	88.20	93.20	98.20
B	50.00	55.00	60.00	65.00	70.00	75.00	80.00	85.00	90.00

东莞市澳斯电子有限公司 DONGGUAN AOSI ELECTRONICS CO., LTD.	公差范围(Tolerance Range)	
	150~	±1.50
型号(Type): FPM2.5-XX-500-23B-YY	60~150	±1.00
	30~60	±0.60
核准(Approval):	6~30	±0.40
	0~6	±0.25
核准(Audit):	角度 X	±2°
	单位(Units):mm	页码(Page):1/1
设计(Design)	图号(Drawing NO.):	(Angle) X.X
	比例(Scale):FULL	版次(Version):T0