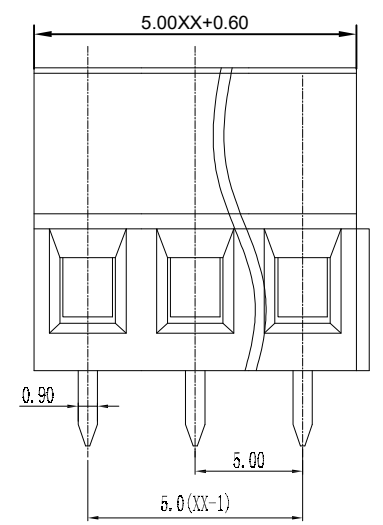
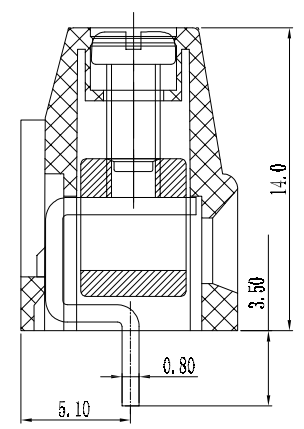
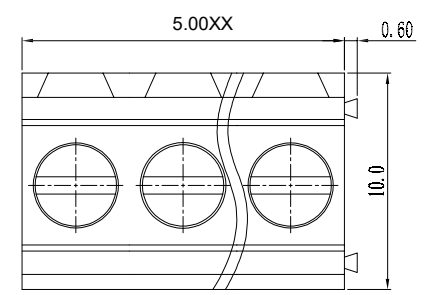
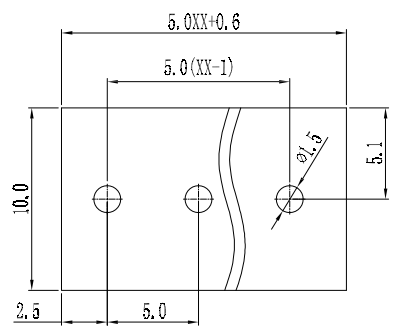


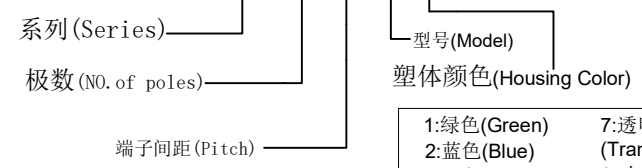
版次 (Version)	变更内容 (Rev. Content)	变更者 (Change Person)



技术参数 (Technical Data)				
应用组别(Use group)	B	C	D	
UL 额定电器参数 (Rated Electrical Parameters)	300V/15A	300V/15A	300V/15A	
IEC 过压类别 (Overvoltage Category) /污染等级 (Pollution Degree)	III/3	III/2	III/2	
额定电器参数 (Rated Electrical Parameters)	300V/15A	300V/15A	300V/15A	
压线范围(Wire Range)	/			
工频耐压(Frequency Voltage)	AC 1300V			
冲击耐压(Rated Surge Voltage)	4000V			
绝缘阻抗(Insulation Resistance)	DC500V 500MΩ above			
接触电阻(Contact Resistance)	≤20mΩ			
剥线长度(String Length)	/			
工作温度(Temperature)	-40° C--+105° C			
额定扭矩(Rated torque)	/			
材质和电镀(Material and plating)				
绝缘材质(Housing)	PA66			
导体材料(Contact)	铜合金, 镀锡(Copper alloy, Sn plisted)			
/	/			

产品命名编码:  
(Product Number Code):

FET2.5-XX-500-00-YY



型号(Model)  
塑体颜色(Housing Color)

1:绿色(Green)	7:透明色 (Transparent)
2:蓝色(Blue)	8:白色(White)
3:黑色(Black)	9:黄色(Yellow)
4:灰色(Grey)	Y:多种颜色 (Mixed color)
5:橙色(Orange)	
6:红色(Red)	

P=5.00mm,N为孔位数(N for hole digits),有效位数为(Significant Digits):02p-19p

	02P	03P	04P	05P	06P	07P	08P	09P	10P
N	10.60	15.60	20.60	25.60	30.60	35.60	40.60	45.60	50.60
L	5.00	10.00	15.00	20.00	25.00	30.00	35.00	40.00	45.00
N	11P	12P	13P	14P	15P	16P	17P	18P	19P
L	55.60	60.60	65.60	70.60	75.60	80.60	85.60	90.60	95.60
B	50.00	55.00	60.00	65.00	70.00	75.00	80.00	85.00	90.00

东莞市澳斯电子有限公司 DONGGUAN AOSI ELECTRONICS CO., LTD.	公差范围(Tolerance Range)	
	150~	±1.50
型号(Type): FET2.5-XX-500-00-YY	60~150	±1.00
	30~60	±0.60
核准(Approval):	6~30	±0.40
	0~6	±0.25
核审(Audit):	角度	X ±2°
	(Angle)	X.X ±1°
设计(Design)	单位(Units):mm	页码(Page):1/1
	比例(Scale):FULL	版次(Version):T0