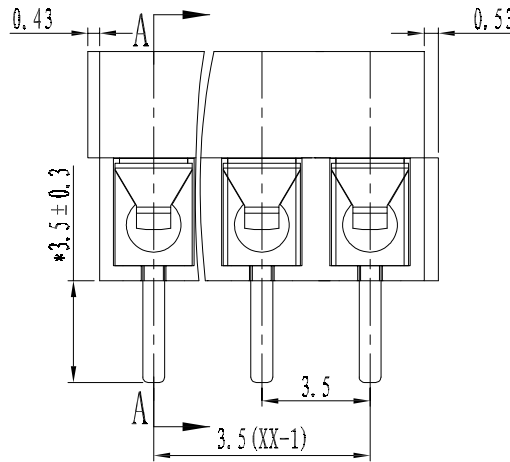
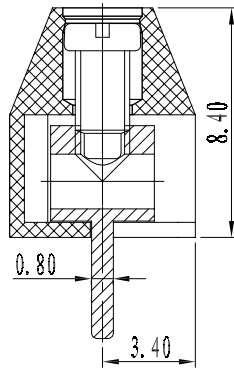
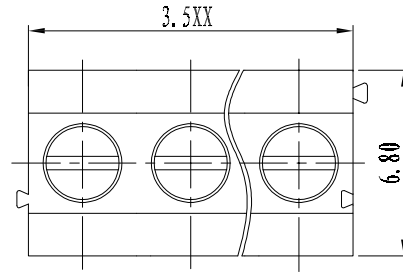
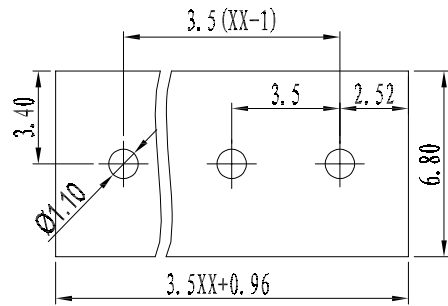
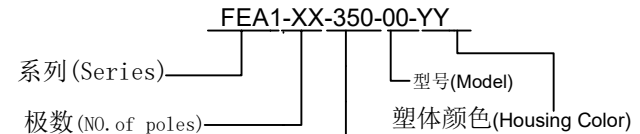


版次 (Version)	变更内容 (Rev. Content)	变更者 (Change Person)



技术参数 (Technical Data)				
应用组别(Use group)	B	C	D	
UL 额定电器参数 (Rated Electrical Parameters)	300V/10A	300V/10A	300V/10A	
过压类别(Overvoltage Category) /污染等级(Pollution Degree)	III/3	III/2	III/2	
IEC 额定电器参数 (Rated Electrical Parameters)	300V/10A	300V/10A	300V/10A	
压线范围(Wire Range)	/			
工频耐压(Frequency Voltage)	AC 1300V			
冲击耐压(Rated Surge Voltage)	4000V			
绝缘阻抗(Insulation Resistance)	DC500V 500MΩ above			
接触电阻(Contact Resistance)	≤20mΩ			
剥线长度(String Length)	/			
工作温度(Temperature)	-40° C--+105° C			
额定扭矩(Rated torque)	/			
材质和电镀(Material and plating)				
绝缘材质(Housing)	PA66			
导体材料(Contact)	铜合金, 镀锡(Copper alloy, Sn plsted)			
/	/			

产品命名编码:
(Product Number Code):



- | | |
|--------------|---------------|
| 1:绿色(Green) | 7:透明色 |
| 2:蓝色(Blue) | (Transparent) |
| 3:黑色(Black) | 8:白色(White) |
| 4:灰色(Grey) | 9:黄色(Yellow) |
| 5:橙色(Orange) | Y:多种颜色 |
| 6:红色(Red) | (Mixed color) |

P=3.50mm,N为孔位数(N for hole digits),有效位数为(Significant Digits):02p-19p

N	02P	03P	04P	05P	06P	07P	08P	09P	10P
L	7.96	11.46	14.96	18.46	21.96	25.46	28.96	32.46	35.96
B	3.50	7.00	10.50	14.00	17.50	21.00	24.50	28.00	31.50
N	11P	12P	13P	14P	15P	16P	17P	18P	19P
L	39.46	42.96	46.46	49.96	53.46	56.96	60.46	63.96	67.46
B	35.00	38.50	42.00	45.50	49.00	52.50	56.00	59.50	63.00

东莞市奥斯电子有限公司 DONGGUAN AOSI ELECTRONICS CO., LTD.	公差范围(Tolerance Range)	
	150~	±1.50
型号(Type): FEA1-XX-350-00-YY	60~150	±1.00
	30~60	±0.60
核准(Approval): 图号(Drawing NO.):	6~30	±0.40
	0~6	±0.25
核审(Audit): 单位(Units):mm 页码(Page):1/1	角度(Angle)	X ±2°
		XX ±1°
设计(Design): 比例(Scale):FULL	版次(Version):T0	