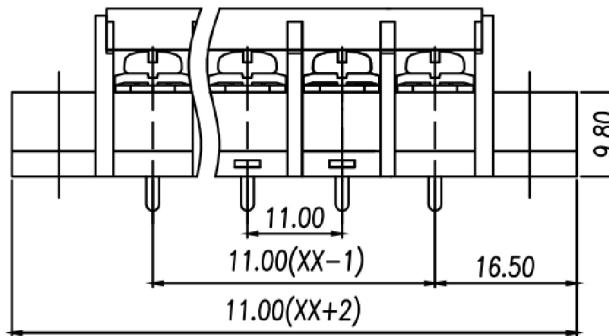
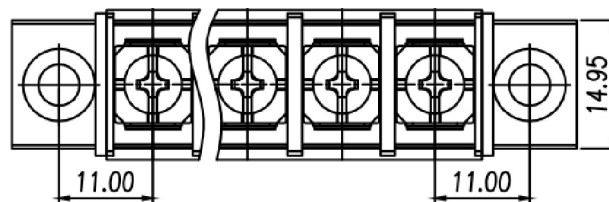
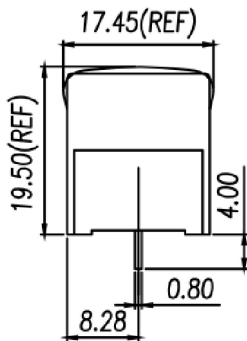
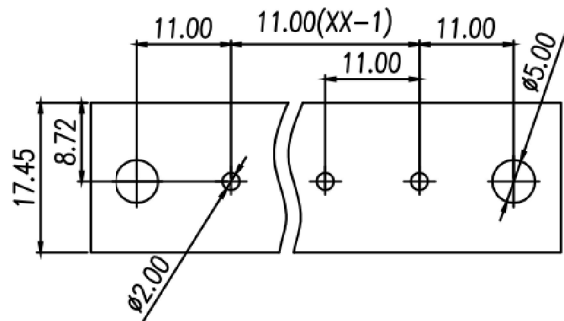


版次 (Version)	变更内容 (Rev. Content)	变更者 (Change Person)



技术参数 (Technical Data)				
UL	应用组别(Use group)	B	C	D
	额定电器参数 (Rated Electrical Parameters)	300V/20A	300V/20A	300V/20A
IEC	过压类别 (Overvoltage Category) /污染等级 (Pollution Degree)	III/3	III/2	III/2
	额定电器参数 (Rated Electrical Parameters)	500V/32A	500V/32A	500V/32A
压线范围(Wire Range)		/		
工频耐压(Frequency Voltage)		AC 2500V		
冲击耐压(Rated Surge Voltage)		4000V		
绝缘阻抗(Insulation Resistance)		DC500V 500MΩ above		
接触电阻(Contact Resistance)		≤8mΩ		
剥线长度(String Length)		/		
工作温度(Temperature)		-40° C--+105° C		
额定扭矩(Rated torque)		/		
材质和电镀 (Material and plating)				
绝缘材质(Housing)		PA66		
导体材料(Contact)		铜合金, 镀锡(Copper alloy, Sn plsted)		
/		/		

产品命名编码:
(Product Number Code):

BT4-XX-1100-68CM-YY

系列 (Series)

极数 (NO. of poles)

型号 (Model)


塑体颜色 (Housing Color)

端子间距 (Pitch)

- | | |
|--------------|-------------------------|
| 1:绿色(Green) | 7:透明色
(Transparent) |
| 2:蓝色(Blue) | 8:白色(White) |
| 3:黑色(Black) | 9:黄色(Yellow) |
| 4:灰色(Grey) | Y:多种颜色
(Mixed color) |
| 5:橙色(Orange) | |
| 6:红色(Red) | |

P=11.00mm,N为孔位数(N for hole digits),有效位数为(Significant Digits):02p-19p

N	02P	03P	04P	05P	06P	07P	08P	09P	10P
L	44.00	55.00	66.00	77.00	88.00	99.00	110.00	121.00	132.00
B	11.00	22.00	33.00	44.00	55.00	66.00	77.00	88.00	99.00
N	11P	12P	13P	14P	15P	16P	17P	18P	19P
L	143.00	154.00	165.00	176.00	187.00	198.00	209.00	220.00	231.00
B	110.00	121.00	132.00	143.00	154.00	165.00	176.00	187.00	198.00

 东莞市澳斯电子有限公司 DONGGUAN AOSI ELECTRONICS CO., LTD,	公差范围(Tolerance Range)	
	150~	±1.50
型号(Type): BT4-XX-1100-68CM-YY	60~150	±1.00
	30~60	±0.60
核准(Approval):	6~30	±0.40
	0~6	±0.25
核审(Audit):	角度 (Angle)	X ±2°
	单位(Units):mm	XX ±1°
设计(Design)	比例(Scale):FULL	版次(Version):T0
	