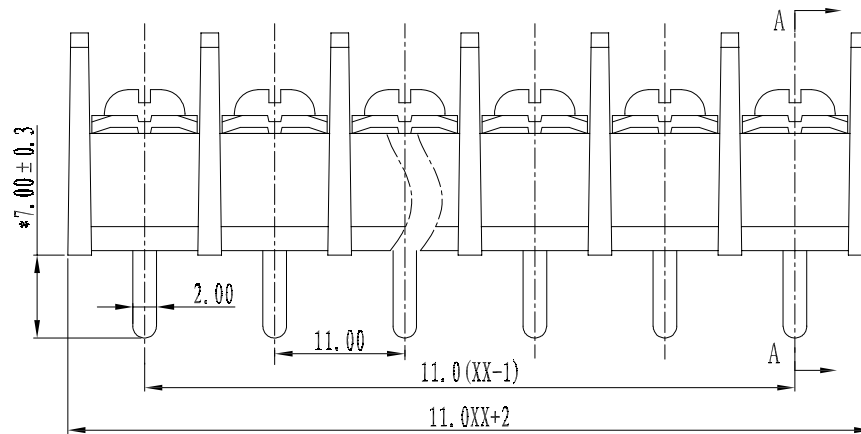
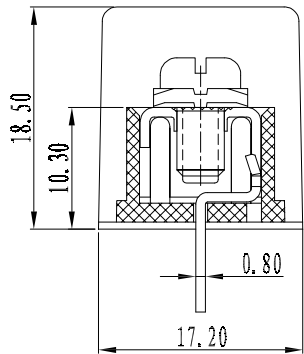
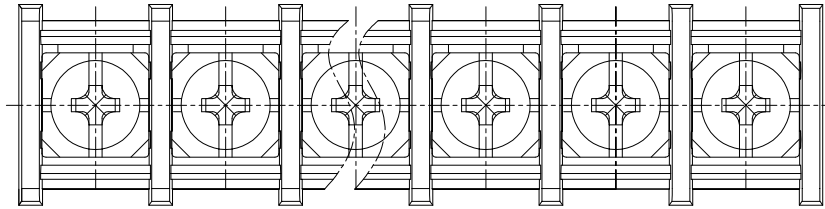
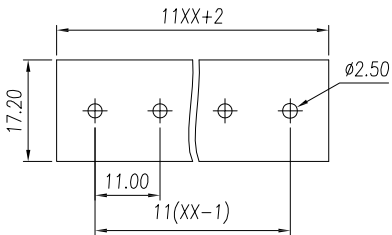


| 版次<br>(Version) | 变更内容<br>(Rev. Content) | 变更者<br>(Change Person) |
|-----------------|------------------------|------------------------|
|                 |                        |                        |
|                 |                        |                        |



| 技术参数 (Technical Data)       |   |                                  |          |          |
|-----------------------------|---|----------------------------------|----------|----------|
| UL                          | 应用组别(Use group)                         | B                                | C        | D        |
| IEC                         | 应用组别(Use group)                         | B                                | C        | D        |
|                             | 额定电器参数<br>(Rated Electrical Parameters) | 300V/20A                         | 300V/20A | 300V/20A |
| IEC                         | 过压类别 (Overvoltage Category)             | III/3                            | III/2    | III/2    |
|                             | /污染等级 (Pollution Degree)                | III/3                            | III/2    | III/2    |
| IEC                         | 额定电器参数<br>(Rated Electrical Parameters) | 500V/32A                         | 500V/32A | 500V/32A |
|                             | 压线范围(Wire Range)                        | /                                |          |          |
| 工频耐压(Frequency Voltage)     |   | AC 2500V                         |          |          |
| 冲击耐压(Rated Surge Voltage)   |   | 4000V                            |          |          |
| 绝缘阻抗(Insulation Resistance) |   | DC500V 500MΩ above               |          |          |
| 接触电阻(Contact Resistance)    |   | ≤20mΩ                            |          |          |
| 剥线长度(String Length)         |   | /                                |          |          |
| 工作温度(Temperature)           |   | -40° C--+105° C                  |          |          |
| 额定扭矩(Rated torque)          |   | /                                |          |          |
| 材质和电镀(Material and plating) |   |                                  |          |          |
| 绝缘材质(Housing)               |   | PA66                             |          |          |
| 导体材料(Contact)               |   | 铜合金, 镀锡(Copper alloy, Sn plsted) |          |          |
| /                           |   | /                                |          |          |

产品命名编码:  
(Product Number Code):

**BT4-XX-1100-65C -YY**

系列(Series)

极数(NO. of poles)

端子间距(Pitch)

型号(Model)

塑体颜色(Housing Color)

- |              |                         |
|--------------|-------------------------|
| 1:绿色(Green)  | 7:透明色<br>(Transparent)  |
| 2:蓝色(Blue)   | 8:白色(White)             |
| 3:黑色(Black)  | 9:黄色(Yellow)            |
| 4:灰色(Grey)   | Y:多种颜色<br>(Mixed color) |
| 5:橙色(Orange) |                         |
| 6:红色(Red)    |                         |

P=11.00mm,N为孔位数(N for hole digits),有效位数为(Significant Digits):02p-19p

|   | N      | 02P    | 03P    | 04P    | 05P    | 06P    | 07P    | 08P    | 09P    | 10P |
|---|--------|--------|--------|--------|--------|--------|--------|--------|--------|-----|
| L | 24.00  | 35.00  | 46.00  | 57.00  | 68.00  | 79.00  | 90.00  | 101.00 | 112.00 |     |
| B | 11.00  | 22.00  | 33.00  | 44.00  | 55.00  | 66.00  | 77.00  | 88.00  | 99.00  |     |
| N | 11P    | 12P    | 13P    | 14P    | 15P    | 16P    | 17P    | 18P    | 19P    |     |
| L | 123.00 | 134.00 | 145.00 | 156.00 | 167.00 | 178.00 | 189.00 | 200.00 | 211.00 |     |
| B | 110.00 | 121.00 | 132.00 | 143.00 | 154.00 | 165.00 | 176.00 | 187.00 | 198.00 |     |

| 东莞市澳斯电子有限公司<br>DONGGUAN AOSI ELECTRONICS CO., LTD, |  | 公差范围(Tolerance Range) |                  |
|--|--|-----------------------|------------------|
| 型号(Type): BT4-XX-1100-65C -YY                      |  | 150~                  | ±1.50            |
|  |  | 60~150                | ±1.00            |
| 核准(Approval): 图号(Drawing NO.):                     |  | 30~60                 | ±0.60            |
|  |  | 6~30                  | ±0.40            |
| 核审(Audit): 单位(Units):mm 页码(Page):1/1               |  | 0~6                   | ±0.25            |
|  |  | 角度(Angle)             | X ±2°<br>X.X ±1° |
| 设计(Design) 比例(Scale):FULL                          |  | 版次(Version):T0        |                  |