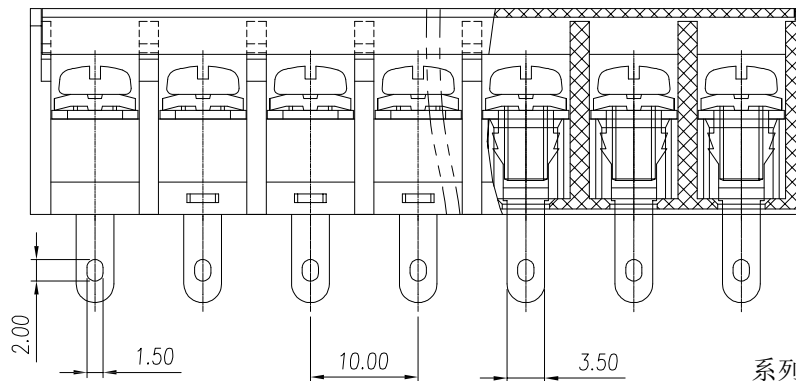
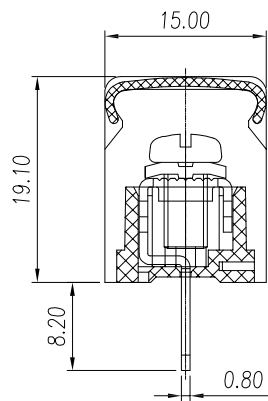
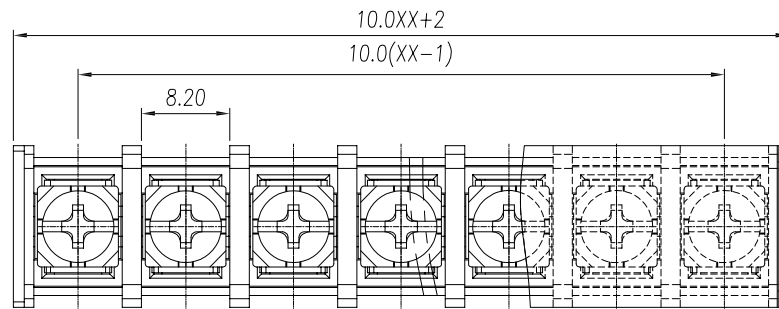


版次 (Version)	变更内容 (Rev. Content)	变更者 (Change Person)



技术参数 (Technical Data)				
UL	应用组别(Use group)	B	C	D
IEC	额定电器参数 (Rated Electrical Parameters)	300V/20A	300V/20A	300V/20A
	过压类别 (Overvoltage Category) /污染等级 (Pollution Degree)	III/3	III/2	III/2
	额定电器参数 (Rated Electrical Parameters)	400V/24A	400V/24A	400V/24A
压线范围(Wire Range)		/		
工频耐压(Frequency Voltage)		AC 2500V		
冲击耐压(Rated Surge Voltage)		4000V		
绝缘阻抗(Insulation Resistance)		DC500V 500MΩ above		
接触电阻(Contact Resistance)		≤20mΩ		
剥线长度(String Length)		10		
工作温度(Temperature)		-40° C--+105° C		
额定扭矩(Rated torque)		/		
材质和电镀(Material and plating)				
绝缘材质(Housing)		PA66		
导体材料(Contact)		铜合金, 镀锡(Copper alloy, Sn plsted)		
/		/		

产品命名编码:  
(Product Number Code):

**BT4-XX-1000-58H-YY**

系列 (Series)

极数 (NO. of poles)

端子间距 (Pitch)


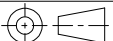
型号 (Model)

塑体颜色 (Housing Color)

- |              |                         |
|--------------|-------------------------|
| 1:绿色(Green)  | 7:透明色<br>(Transparent)  |
| 2:蓝色(Blue)   | 8:白色(White)             |
| 3:黑色(Black)  | 9:黄色(Yellow)            |
| 4:灰色(Grey)   | Y:多种颜色<br>(Mixed color) |
| 5:橙色(Orange) |                         |
| 6:红色(Red)    |                         |

P=10.00mm,N为孔位数(N for hole digits),有效位数为(Significant Digits):02p-19p

	02P	03P	04P	05P	06P	07P	08P	09P	10P
N	22.00	32.00	42.00	52.00	62.00	72.00	82.00	92.00	102.00
L	10.00	20.00	30.00	40.00	50.00	60.00	70.00	80.00	90.00
B	11P	12P	13P	14P	15P	16P	17P	18P	19P
L	112.00	122.00	132.00	142.00	152.00	162.00	172.00	182.00	192.00
B	100.00	110.00	120.00	130.00	140.00	150.00	160.00	170.00	180.00

 <b>东莞市奥斯电子有限公司</b> <b>DONGGUAN AOSI ELECTRONICS CO., LTD.</b>	公差范围(Tolerance Range)	
	150~	±1.50
型号(Type): BT4-XX-1000-58H-YY	60~150	±1.00
	30~60	±0.60
核准(Approval):	6~30	±0.40
	0~6	±0.25
核审(Audit):	角度 (Angle)	X ±2°
	单位(Units):mm	XX ±1°
设计(Design)	页码(Page): 1/1	比例(Scale): FULL
		
		版次 (Version): T0